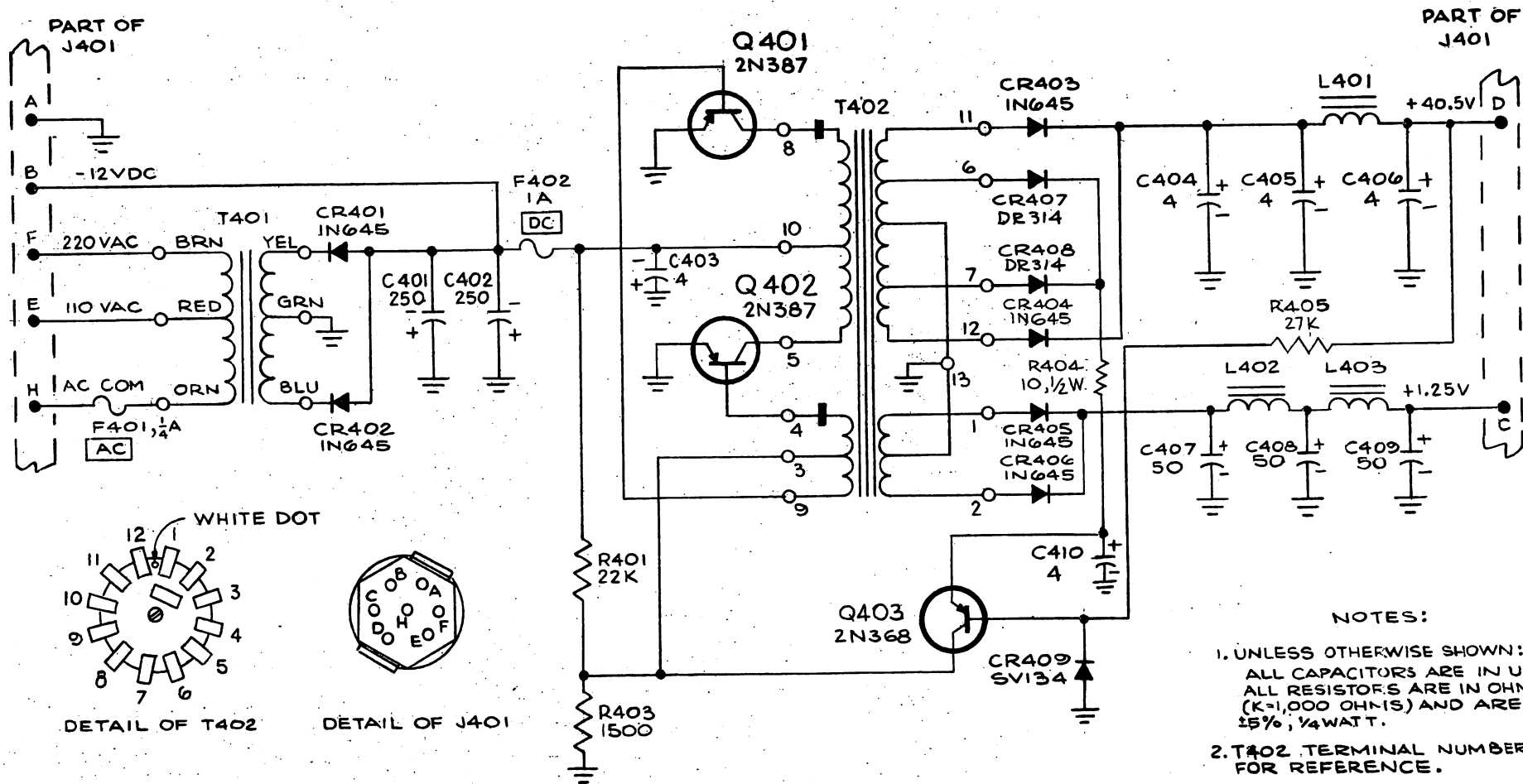


Figure 3-7. Power Supply, Schematic Diagram



NOTES:

1. UNLESS OTHERWISE SHOWN:  
ALL CAPACITORS ARE IN UF;  
ALL RESISTORS ARE IN OHMS  
(K=1,000 OHMS) AND ARE  
±5%, 1/4WATT.
2. T402 TERMINAL NUMBERS  
FOR REFERENCE.
3. Q401 AND Q402 ARE A  
MATCHED PAIR.